

Avaya

71800X Exam

Avaya IX Messaging Implementation and Maintenance Exam

**Questions & Answers
(Demo Version – Limited Content)**

Thank you for Downloading 71800X exam PDF Demo

Download Free Demo:

<https://www.dumpsplanet.com/71800x-exam-dumps>

<https://www.dumpsplanet.com/71800x-exam-dumps>

Version: 4.0

Question: 1

Which feature allows you to increase the security level of voicemail and faxes that are transferred via email by storing all the files on the local server?

- A. Email Action Schema
- B. Weblinks
- C. Automatic Speech Recognition (ASR)
- D. Speech Contacts

Answer: B

Explanation:

<https://downloads.avaya.com/css/P8/documents/101052209>

Question: 2

Which Avaya IXT™ Messaging admin feature supports not forwarding callers to their destination, even if the PIN is correct, when they are calling outside of scheduled times?

- A. Out of office hours
- B. PIN schedule
- C. PIN
- D. Caller ID / DNIS

Answer: D

Question: 3

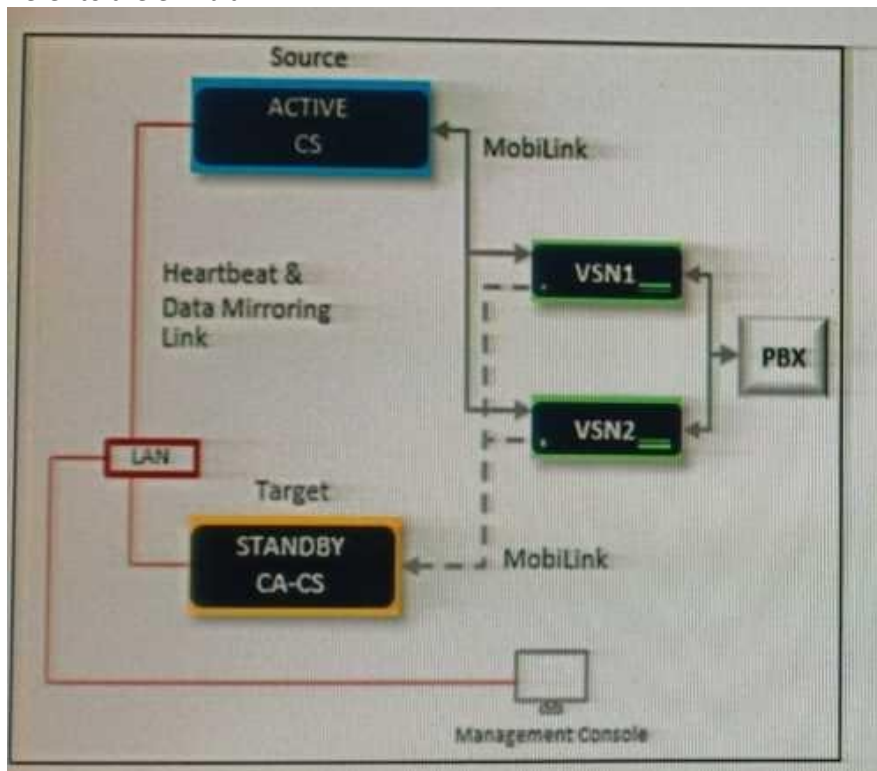
Which three features does Avaya IX™ Messaging offer? (Choose

- A. Linux operating system
- B. PBX and Cloud Integration
- C. H.323 integration
- D. Fax, Speech, Transcription Services
- E. JITC Security and Encryption

Answer: ABC

Question: 4

Refer to the exhibit.



What is illustrated in the exhibit?

- A. VSN Architecture for Disaster Recovery
- B. Carbonite availability of the Consolidated Server for Disaster Recovery
- C. Two consolidated servers in the active-active mode
- D. A Management Console allowing Avaya IX™ Messaging moves, adds, and changes

Answer: A

Question: 5

Which three statements describes functions of Basic Unified (UM) via SMTP Forwarding (Choose three.)

- A. The user is given a single view in their email client.
- B. Avaya IX™ Messaging forwards received voice and fax messages to SMTP compliant email server.
- C. All message types are stored on the Messaging server.
- D. All message types are stored on the email server.
- E. The user is given a multiple view in their email client.

Answer: ABC

Explanation:

<https://downloads.avaya.com/css/P8/documents/101052215>

Thank You for trying 71800X PDF Demo

To try our 71800X pdf dumps visit the link below

<https://www.dumpsplanet.com/71800x-exam-dumps>

Start Your 71800X Preparation

[Limited Time Offer] Use Coupon **“dp20%”** for extra 20% discount on the purchase of pdf dumps. Test your 71800X preparation with actual exam questions.

<https://www.dumpsplanet.com/71800x-exam-dumps>